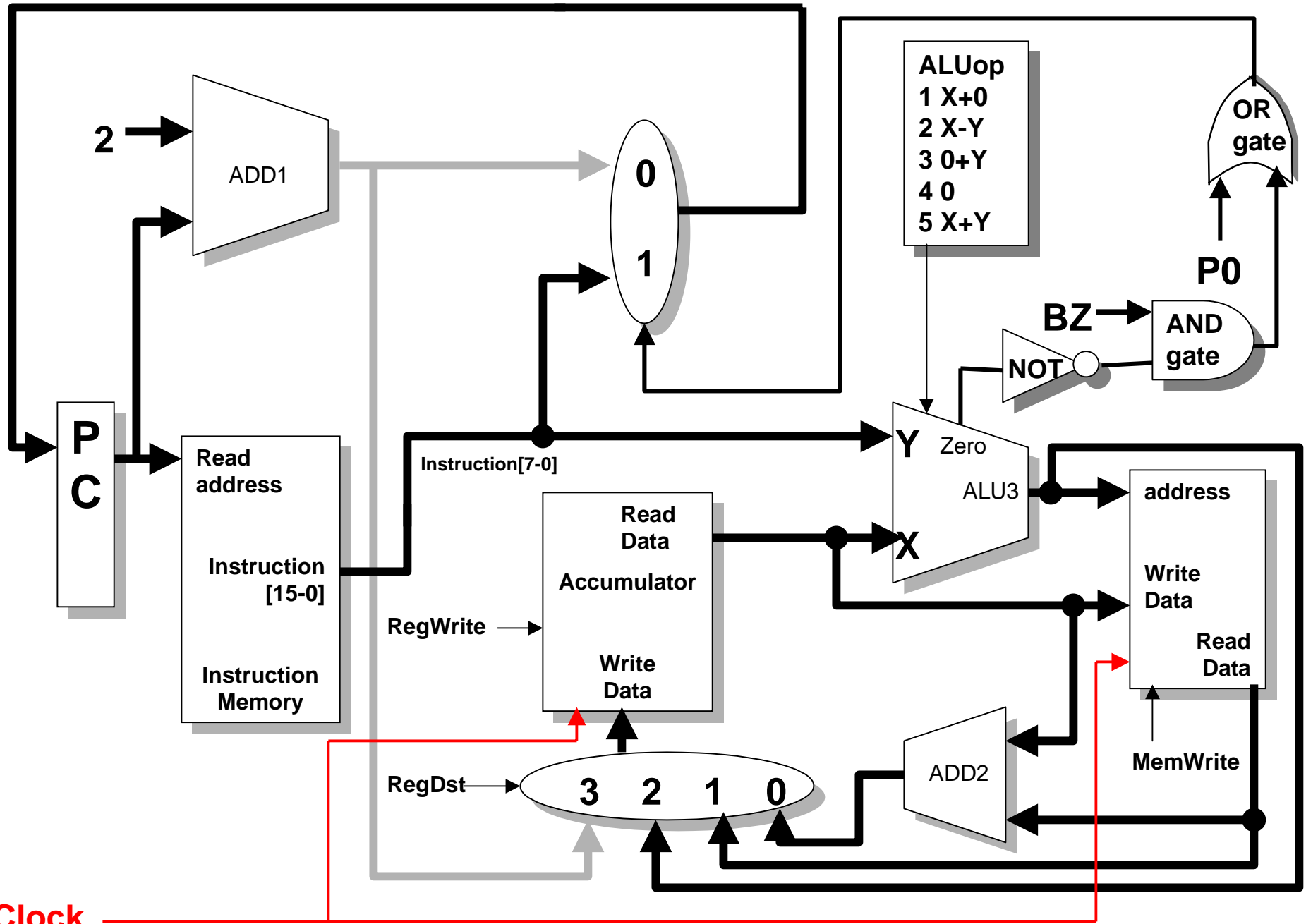


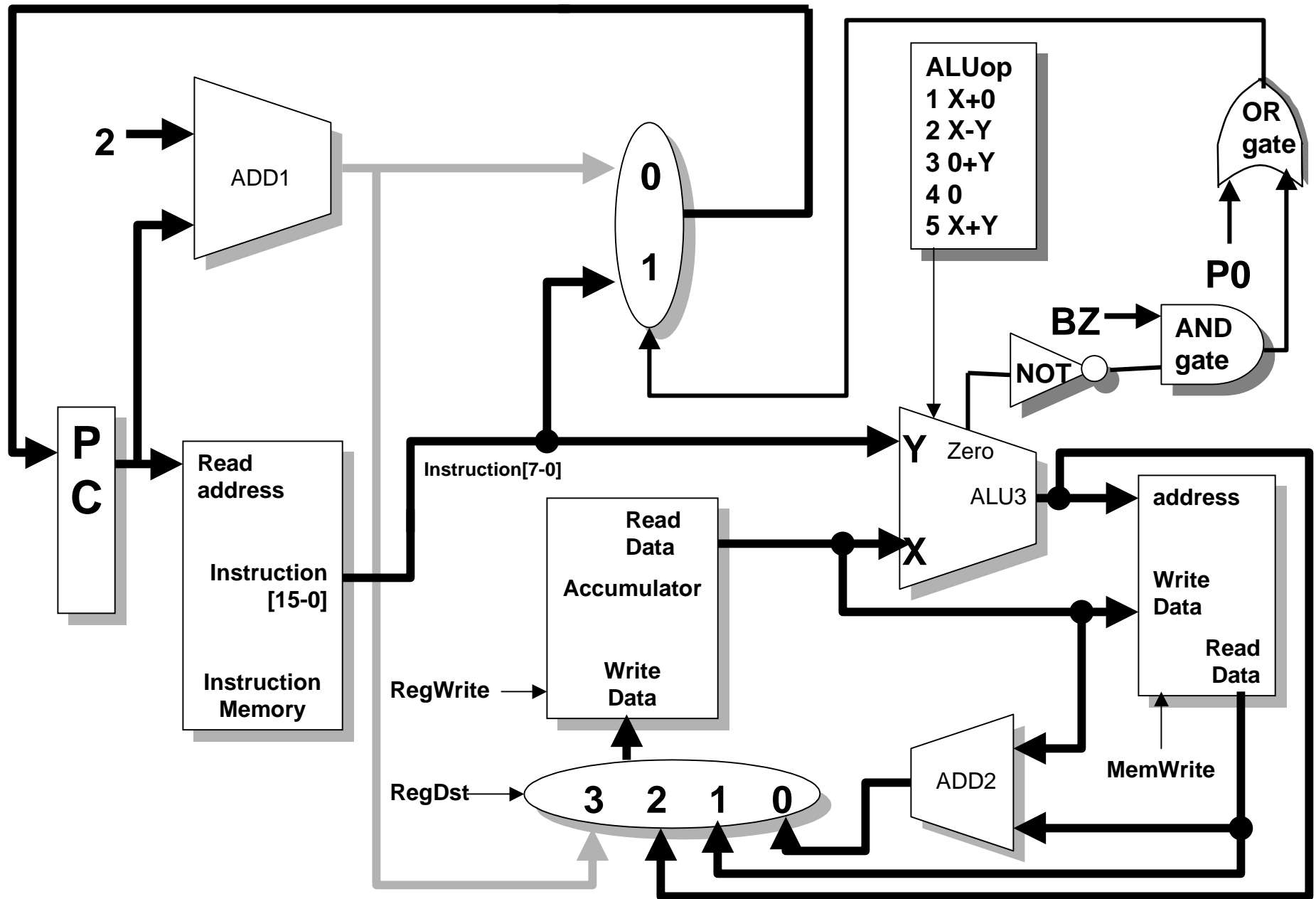
# RISCEE 3 Architecture

**Clock = load value into register**



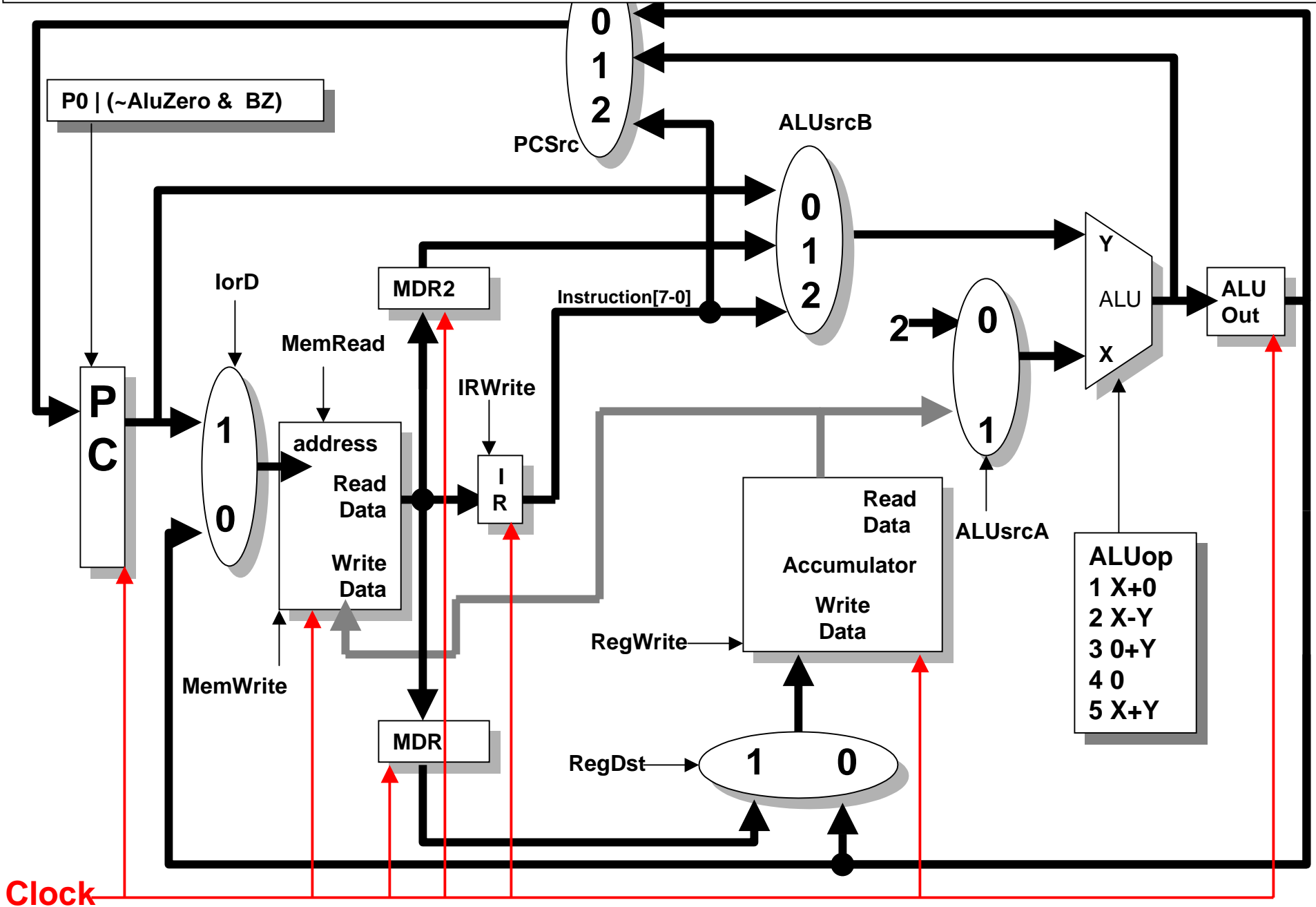
**Clock**

# RISCEE 3 Architecture



# RISCEE 4 Architecture

**Clock = load value into register**



# RISCEE 4 Architecture

